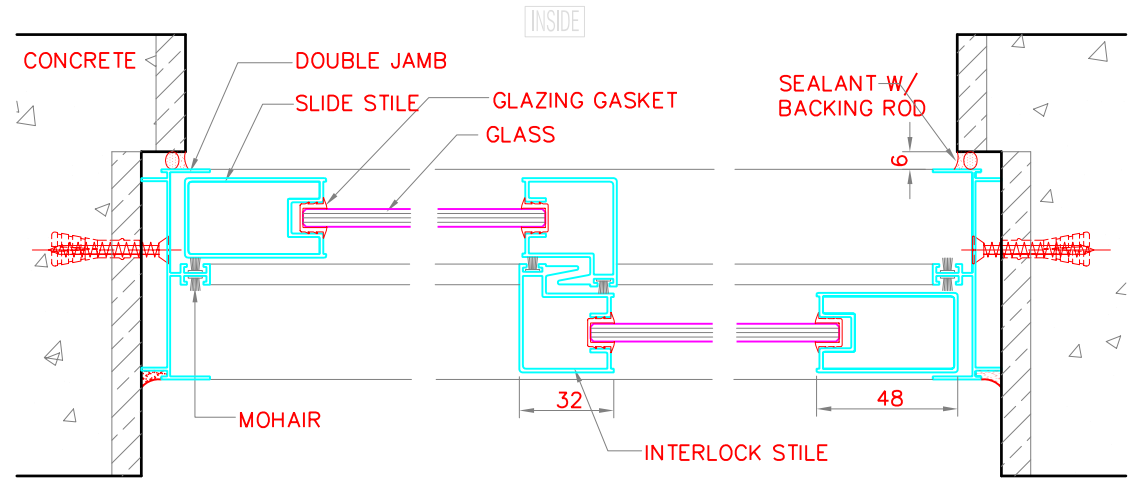
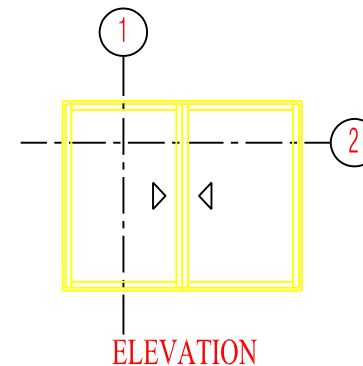


DETAIL-1



DETAIL-2



○ SLIDING WINDOW DETAILS
TYPE: SLIDE/SLIDE



4th Floor 115 Y - L Building
Rufino Corner Salcedo Street,
Legazpi Village, Makati City

Phone: (632) 892-8437
Facsimile: (632) 893-9867

Subject: 3000 SERIES - SLIDING WINDOW DETAILS, SLIDE/SLIDE

Drawn by: RTA	Date:	Drawing No.	REVISION:
Checked by: CS	Scale: 1 : 3	A4 3000 / SL/ 300	-

SEAPAC PHILIPPINES, INC. THESE DESIGN DRAWING AND THE COPYRIGHT THERE IN ARE PROPERTY OF SEAPAC PHILIPPINES INC. AND MUST NOT BE DIVULGED REPRODUCED OR COPIED WITHOUT WRITTEN PERMISSION.