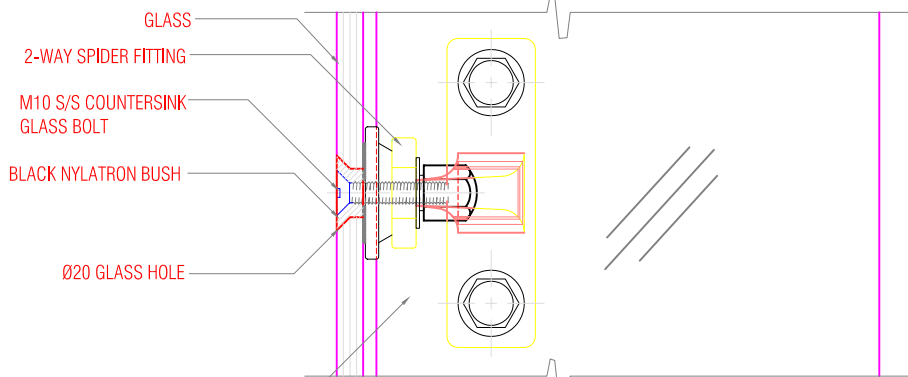
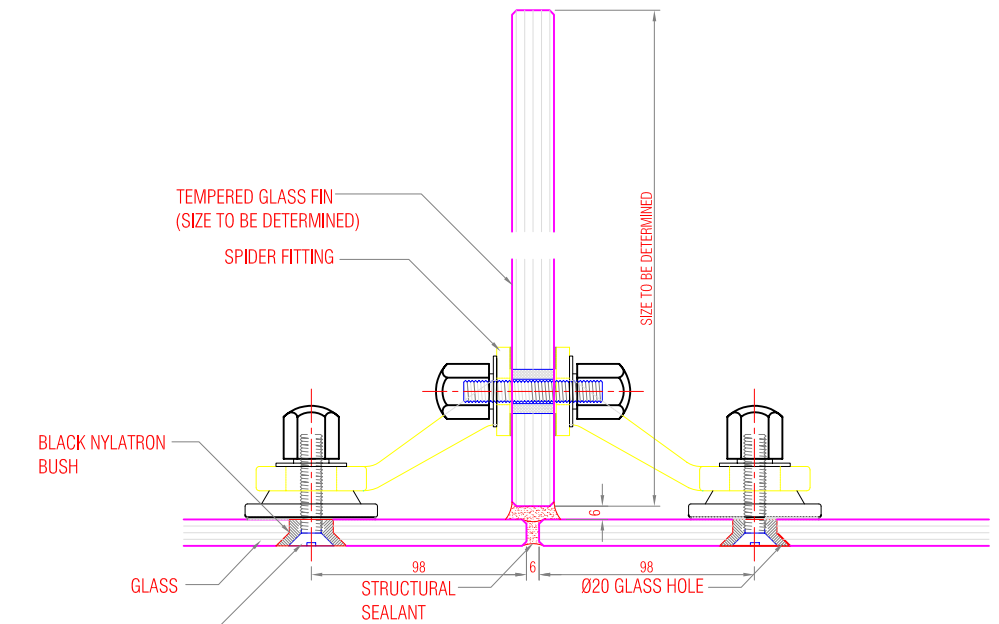


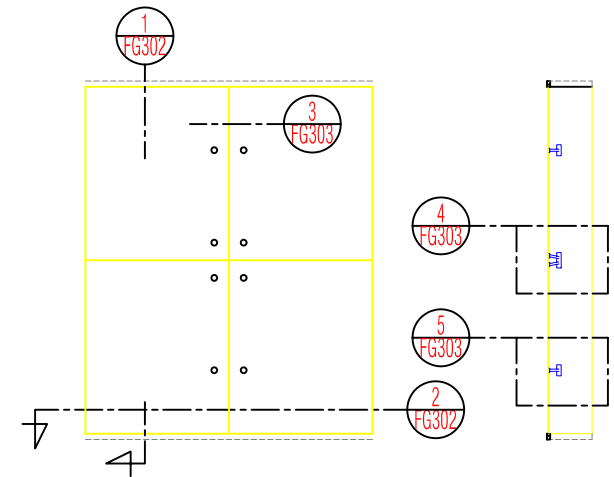
DETAIL-4



DETAIL-5



DETAIL-3



ELEVATION

SECTION



4th Floor 115 Y - L Building
Rufino Corner Salcedo Street,
Legazpi Village, Makati City

Phone: (632) 892-8437
Facsimile: (632) 893-9867

Subject: FRAMELESS GLASS WALL WITH FINS & SPIDER FITTINGS

Drawn by: CSG	Date:	Drawing No.	REVISION:
---------------	-------	-------------	-----------

Checked by: CS	Scale: 1 : 4	A4	FG / 303
----------------	--------------	----	----------

SEAPAC PHILIPPINES, INC. THESE DESIGN DRAWING AND THE COPYRIGHT THERE IN ARE PROPERTY OF SEAPAC PHILIPPINES INC. AND MUST NOT BE DIVULGED REPRODUCED OR COPIED WITHOUT WRITTEN PERMISSION.