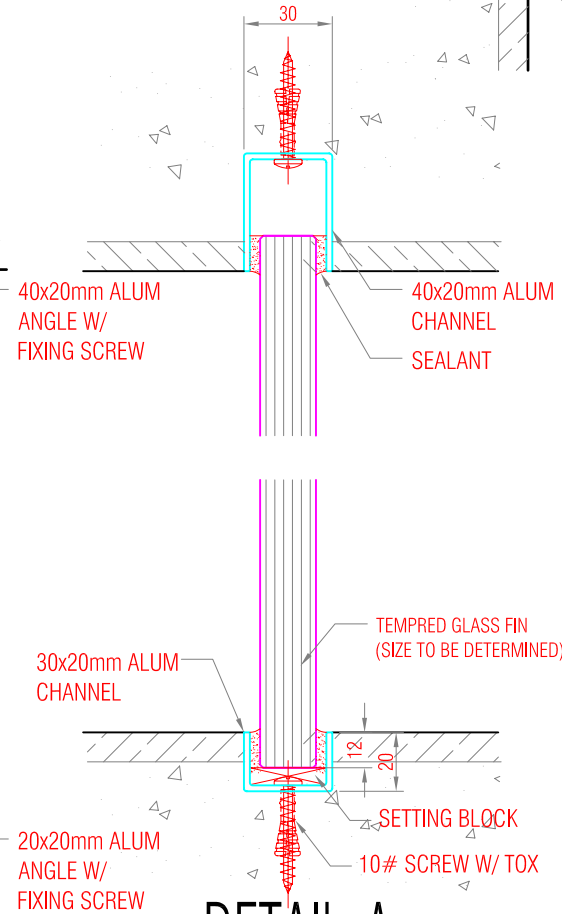
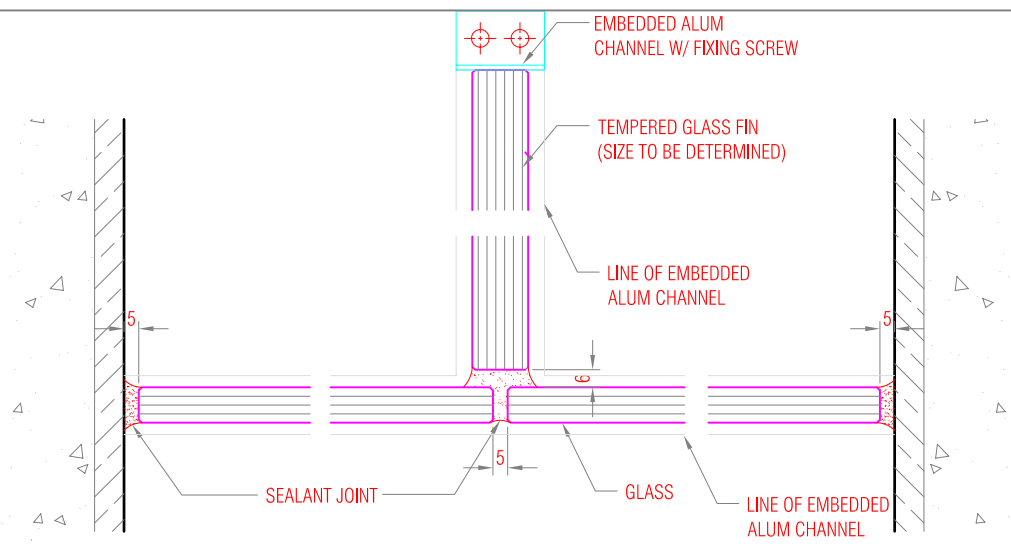


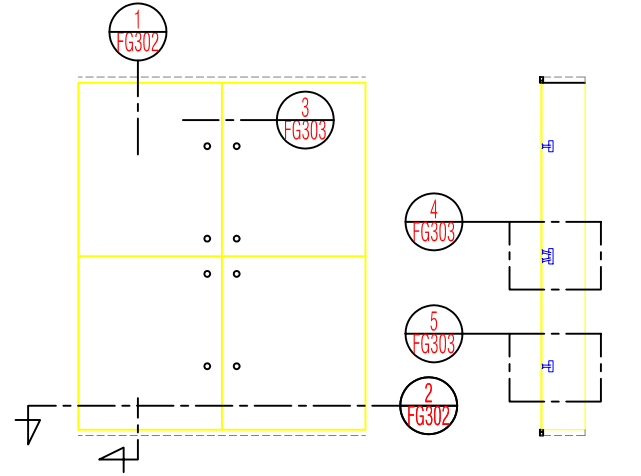
DETAIL-1



DETAIL-A



DETAIL-2



ELEVATION

SECTION

**SPI** 4th Floor 115 Y - L Building Phone: (632) 892-8437  
 Seapac Philippines, Inc. Rufino Corner Salcedo Street, Legazpi Village, Makati City Facsimile: (632) 893-9867

Subject: FRAMELESS GLASS WALL WITH FINS & SPIDER FITTINGS

Drawn by: RTA	Date:	Drawing No.	REVISION:
Checked by: CS	Scale: 1 : 3	A4	FG / 302

SEAPAC PHILIPPINES, INC. THESE DESIGN DRAWING AND THE COPYRIGHT THERE IN ARE PROPERTY OF SEAPAC PHILIPPINES INC. AND MUST NOT BE DIVULGED REPRODUCED OR COPIED WITHOUT WRITTEN PERMISSION.