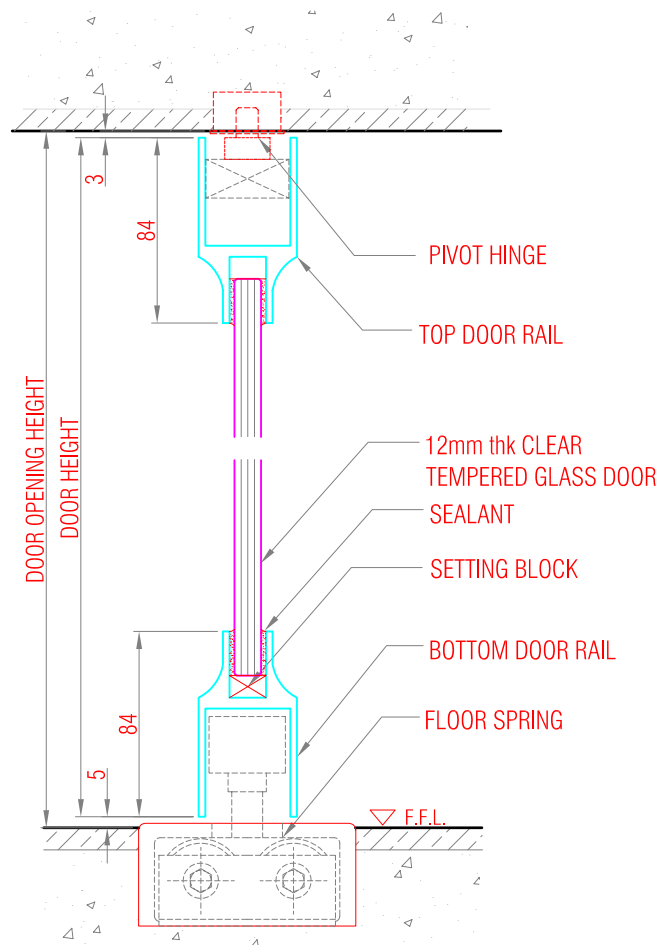
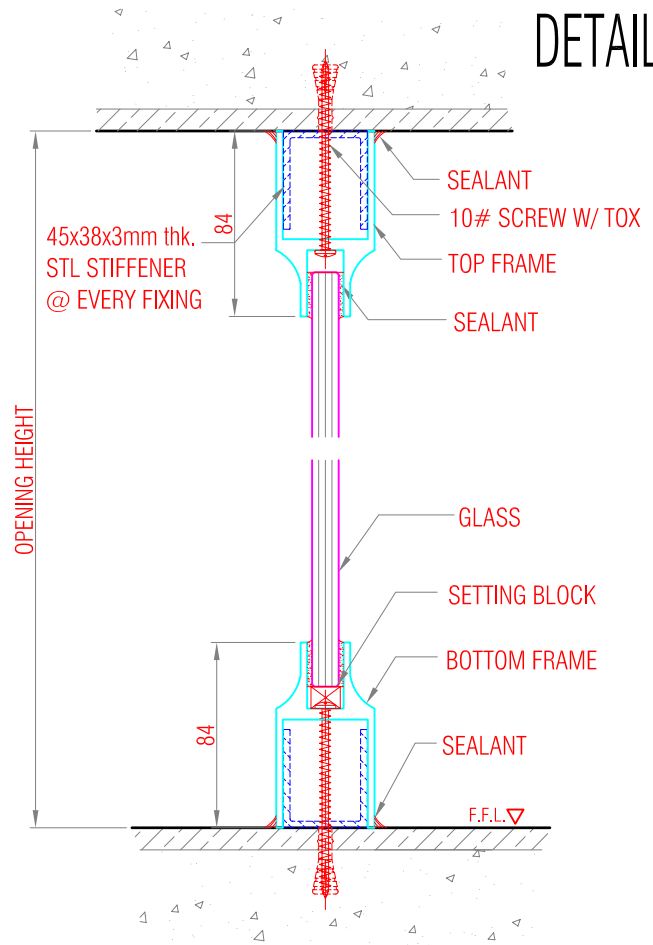


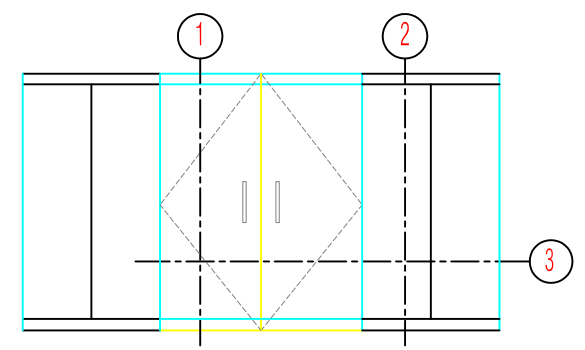
DETAIL-3



DETAIL-1




DETAIL-2



ELEVATION

NOTE:  
DOOR HANDLE-TO SUIT  
CUSTOMER DESIGN

|  |              |   |  |  |  |
|--|--------------|---|--|--|--|
|   |              | 4th Floor 115 Y - L Building<br>Rufino Corner Salcedo Street,<br>Legazpi Village, Makati City |  | Phone: (632) 892-8437<br>Facsimile: (632) 893-9867 |  |
| Subject: FRAMELESS GLASS DOORS W/ TOP & BOTTOM RAIL, DOUBLE LEAF   |              |   |  |  |  |
| Drawn by: RTA  | Date:        | Drawing No. FG / 301  |  | REVISION: -  |  |
| Checked by: CS   | Scale: 1 : 4 | A4  |  |  |  |
| SEAPAC PHILIPPINES, INC. THESE DESIGN DRAWING AND THE COPYRIGHT THERE IN ARE PROPERTY OF SEAPAC PHILIPPINES INC. AND MUST NOT BE DIVULGED REPRODUCED OR COPIED WITHOUT WRITTEN PERMISSION. |              |   |  |  |  |