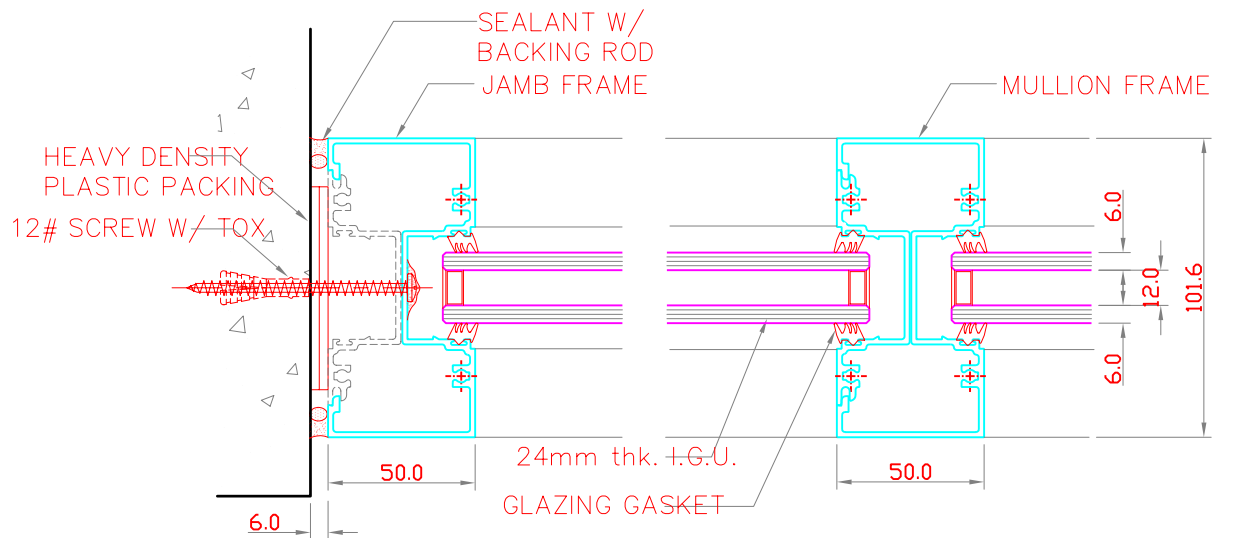
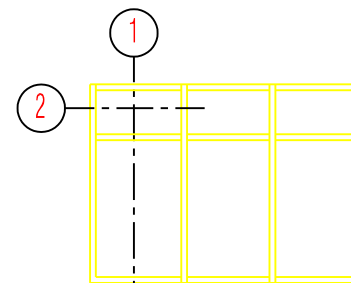


**DETAIL - 1**



**DETAIL - 2**



**ELEVATION**

**SHOPFRONT DETAILS, DOUBLE GLAZED**



**Seapac Philippines, Inc.**

4th Floor 115 Y - L Building  
Rufino Corner Salcedo Street,  
Legazpi Village, Makati City

Phone: (632) 892-8437  
Facsimile: (632) 893-9867

Subject: **6000 SERIES - DOUBLE GLAZED WINDOW DETAILS**

Drawn by: RTA	Date:	Drawing No. 6000 / DGW/ 300	REVISION: -
Checked by: CS	Scale: 1 : 3	A4	

SEAPAC PHILIPPINES, INC. THESE DESIGN DRAWING AND THE COPYRIGHT THERE IN ARE PROPERTY OF SEAPAC PHILIPPINES INC. AND MUST NOT BE DIVULGED REPRODUCED OR COPIED WITHOUT WRITTEN PERMISSION.