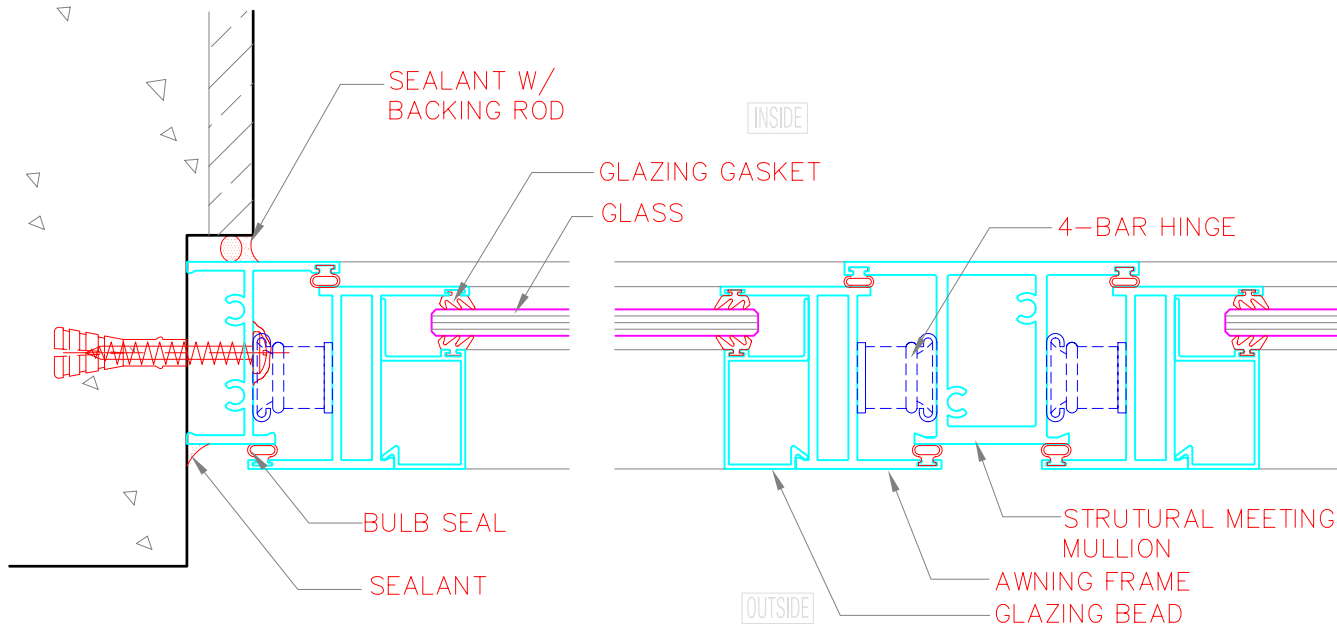
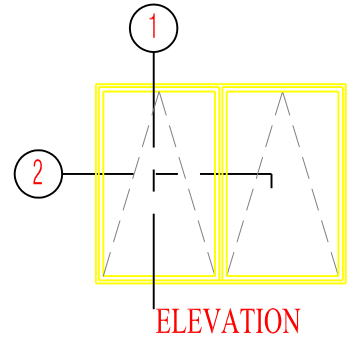


DETAIL - 1




DETAIL - 2



ELEVATION

HEAVY DUTY AWNING WINDOW SECTION

 Seapac Philippines, Inc.	4th Floor 115 Y - L Building Rufino Corner Salcedo Street, Legazpi Village, Makati City		Phone: (632) 892-8437 Facsimile: (632) 893-9867
	Subject: 4200 SERIES - HEAVY DUTY OPERABLE WINDOW DETAILS		
Drawn by: RTA	Date:	Drawing No.	
Checked by: CS	Scale: 1 : 2	A4	4200 / OW/ 301
SEAPAC PHILIPPINES, INC. THESE DESIGN DRAWING AND THE COPYRIGHT THERE IN ARE PROPERTY OF SEAPAC PHILIPPINES INC. AND MUST NOT BE DIVULGED REPRODUCED OR COPIED WITHOUT WRITTEN PERMISSION.			
REVISION:			-