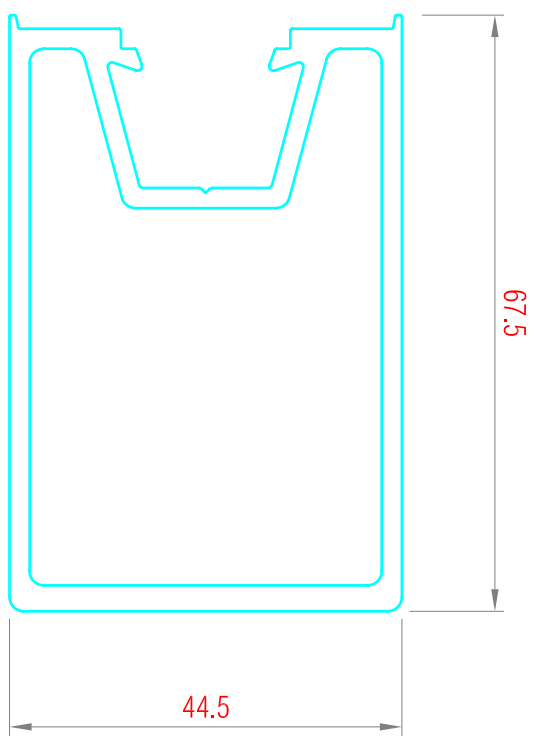
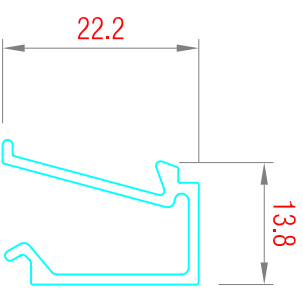


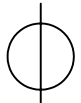
DOOR RAIL
5000-SP705




DOOR STILE
5000-SP716



DOOR GLAZING BEAD
5000-SP709



SPECIAL SECTIONS
COMMERCIAL DOOR

		4th Floor 115 Y - L Building Rufino Corner Salcedo Street, Legazpi Village, Makati City		Phone: (632) 892-8437 Facsimile: (632) 893-9667	
Subject: 5100 SERIES - COMMERCIAL DOOR SECTIONS					
Drawn by: CSG	Date:	Drawing No:	REVISIONS:		
Checked by: CS	Scale: 1 : 1	A4	5100 / CD / 001		
SEAPAC PHILIPPINES, INC. THESE DESIGNS DRAWING AND THE COPYRIGHT THEREIN ARE PROPERTY OF SEAPAC PHILIPPINES, INC. AND MUST NOT BE DUPLICATED, REPRODUCED OR COPIED WITHOUT WRITTEN PERMISSION.					